

EBR 30, 60, 100 and 150 Amp Series Receptacles

Explosionproof, Dust-Ignitionproof

With Disconnect Switch or Circuit Breaker. Weatherproof Spring Cover. 600 Vac Max. 250 Vdc Max.

NEC:

Class I, Division 1 and 2, Groups B⁺, C, D

Class II, Division 1 and 2, Groups F, G

Class III

NEMA 3⁺, 3R⁺, 4⁺, 4X⁺, 7CD, 9FG

Applications

- Locations where receptacles are used with stationary or portable electrically operated devices such as:
 - Lighting systems
 - Conveyors
 - Heaters
 - Motor-generator sets
 - Air conditioners
 - Compressors
 - Pumps
- Locations where damp or corrosive conditions exist
- Class I: classified locations such as:
 - Petrochemical plants
 - Petroleum refineries
 - Paint and chemical plants
 - Any location where ignitable vapors or gases are present
- Class II: classified locations such as:
 - Process industries where there are dust hazards from handling such products as flour, grain and starch or any location where ignitable amounts of dust are present or amounts which would adversely affect performance

Features

- Energized receptacle contacts deeply recessed to reduce danger of accidental touching.
- Style 2 (shell and extra pole) grounding.
- Spring door keeps dust out of receptacle when plug is not in use. Screw cap also supplied.
- Brass contacts exert constant pressure along entire contact surface and provide superior electrical contact.
- Contacts have beryllium copper wire springs.
- Plug mechanical cable clamps prevent strain on cables— they meet or exceed UL strain relief pull-out requirements.
- Neoprene bushing compressed by cable collar prevents entrance of water.
- Insulators provide superior dielectric and mechanical strength and lowest arc tracking.
- 1-1/2 NPT tapped conduit openings; one top two bottom.
- EBRH: interlocked disconnect switch provides safe connect and disconnect operation at 30, 60 or 100 Amp, 600 Vac maximum. Two or three pole, non-fused motor circuit switch. EBRH permits safe operation in Class I, Group B as well as Class I, Groups C and D, Class II, Groups F, G, and Class III.
- EBR: interlocked circuit breaker provides interlocked connect and disconnect operation as well as short circuit and thermal time delay overload protection.
- To operate, insert plug (which automatically locks into receptacle) and turn Breaker Handle to "ON" position. To remove plug, turn Handle to "OFF" position, lift Plug Release Knob and pull plug out.
- ACP and CPH plug fits Powertite™ Series hazardous location EBR and EBRH receptacles.



Standard Materials

- EBR and EBRH receptacles: copperfree (4/10 of 1% max.) aluminum receptacle and mounting box
- CPH and ACP plugs: copperfree (4/10 of 1% max.) aluminum housings
- Insulating blocks: fiber glass reinforced polyester

Standard Finishes

- Receptacles, mounting boxes, cord connector housings and caps: epoxy powder coat

Options

- For Group B version add suffix **-GB** to receptacle (Group B version not suitable for NEMA 4, 4X).
- For GE [®] breaker, add **-GE** after EH, FB or HFB for GE Circuit Breakers. Contact your local representative for availability and price.
- Molded case switch available on the 150 Amp versions, add suffix **-K** to receptacle.
- Special Polarization: Prevents plug insertion in a receptacle or connector wired for a different voltage. In installations where there are different line voltages, the special polarization option is desirable. This allows only plugs and receptacles wired for the same line voltage to be mated together. The receptacle or connector interior is positioned 22-1/2°, relative to the polarization rivet, to the right (as specified) of standard, and plug is polarized to correspond. This option can be added to receptacles using the Powertite™ Plug. Add suffix **-P4** to receptacle or plug.
- For 2" feed-thru openings (one top, one bottom) add suffix **-22** to receptacle.
- 1 N/O and 1 N/C Auxiliary Contacts. Add suffix **-AUX**.

NEC Certifications and Compliances

- UL Standard: UL 1010 (UL 1203), UL 894, UL 1682, UL 1686
- UL Listed: E79132, E10784, E313360(EBR)

• Flip cover suitable for NEMA 3, 3R only.

▼ NEMA 4 rating maintained with Appleton NEMA 4 plug installed. Install screw cover for 4, 4X. Both covers are included with product.

◆ Add suffix **-GB** to Cat. No. for Group B. (Group B version not suitable for NEMA 4, 4X).

▶ GE is a registered trademark of General Electric Company.

EBR 30, 60, 100 and 150 Amp Series Receptacles

Explosionproof, Dust-Ignitionproof

With Disconnect Switch or Circuit Breaker. Weatherproof Spring Cover. 600 Vac Max. Pressure Wire Terminals.

NEC:

Class I, Division 1 and 2, Groups B⁺, C, D
 Class II, Division 1 and 2, Groups F, G
 Class III
 NEMA 3⁺, 3R⁺, 4⁺, 4X⁺, 7CD, 9FG

EBRH Receptacles with Disconnect Switch



EBRH with Switch

| Receptacle | Wires/Poles | Catalog Number |
|------------|-------------|----------------|
| 30 Amp | 2W, 3P | EBRH3023DS |
| | 3W, 4P | EBRH3034DS |
| 60 Amp | 2W, 3P | EBRH6023DS |
| | 3W, 4P | EBRH6034DS |
| 100 Amp | 2W, 3P | EBRH1023DS |
| | 3W, 4P | EBRH1034DS |

EBR Receptacles with Circuit Breaker



EBR with Breaker

1-1/2" threaded conduit openings –
 one in top and two in bottom

| Receptacle | Circuit Breaker Amp | Pole | Catalog Number | | |
|-------------------|---------------------|------|--------------------------|--------------------------|-------------------------|
| | | | with 480 Vac EHD Breaker | with 600 Vac FDB Breaker | with 600 Vac FD Breaker |
| 30 Amp 2W, 3P | 20 | 2 | EBR3023EH20 | EBR3023FB20 | EBR3023HFB20 |
| | 30 | 2 | EBR3023EH30 | EBR3023FB30 | EBR3023HFB30 |
| | 40 | 2 | EBR3023EH40 | EBR3023FB40 | EBR3023HFB40 |
| | 50 | 2 | EBR3023EH50 | EBR3023FB50 | EBR3023HFB50 |
| 30 Amp 3W, 4P | 20 | 3 | EBR3034EH20 | EBR3034FB20 | EBR3034HFB20 |
| | 30 | 3 | EBR3034EH30 | EBR3034FB30 | EBR3034HFB30 |
| | 40 | 3 | EBR3034EH40 | EBR3034FB40 | EBR3034HFB40 |
| | 50 | 3 | EBR3034EH50 | EBR3034FB50 | EBR3034HFB50 |
| 60 Amp 2W, 3P | 50 | 2 | EBR6023EH50 | EBR6023FB50 | EBR6023HFB50 |
| | 60 | 2 | EBR6023EH60 | EBR6023FB60 | EBR6023HFB60 |
| | 70 | 2 | EBR6023EH70 | EBR6023FB70 | EBR6023HFB70 |
| | 90 | 2 | EBR6023EH90 | EBR6023FB90 | EBR6023HFB90 |
| 60 Amp 3W, 4P | 100 | 2 | EBR6023EH100 | EBR6023FB100 | EBR6023HFB100 |
| | 50 | 3 | EBR6034EH50 | EBR6034FB50 | EBR6034HFB50 |
| | 60 | 3 | EBR6034EH60 | EBR6034FB60 | EBR6034HFB60 |
| | 70 | 3 | EBR6034EH70 | EBR6034FB70 | EBR6034HFB70 |
| 100 Amp 2W, 3P | 90 | 3 | EBR6034EH90 | EBR6034FB90 | EBR6034HFB90 |
| | 100 | 3 | EBR6034EH100 | EBR6034FB100 | EBR6034HFB100 |
| | 50 | 2 | EBR1023EH50 | EBR1023FB50 | EBR1023HFB50 |
| | 70 | 2 | EBR1023EH70 | EBR1023FB70 | EBR1023HFB70 |
| 100 Amp 3W, 4P | 90 | 2 | EBR1023EH90 | EBR1023FB90 | EBR1023HFB90 |
| | 100 | 2 | EBR1023EH100 | EBR1023FB100 | EBR1023HFB100 |
| | 50 | 3 | EBR1034EH50 | EBR1034FB50 | EBR1034HFB50 |
| | 70 | 3 | EBR1034EH70 | EBR1034FB70 | EBR1034HFB70 |
| 150 Amp 3W, 4P | 90 | 3 | EBR1034EH90 | EBR1034FB90 | EBR1034HFB90 |
| | 100 | 3 | EBR1034EH100 | EBR1034FB100 | EBR1034HFB100 |
| | 100 | 3 | N/A | N/A | EBR15034FD100 ① |
| | 125 | 3 | N/A | N/A | EBR15034FD125 ① |
| | 150 | 3 | N/A | N/A | EBR15034FD150 ① |

◀ Circuit Breakers are Cutler-Hammer. Cutler-Hammer F-Frame breakers available up to 175 Amps. Add **GE** after EH, FB, or HFB for GE Circuit Breakers. Contact your local representative for availability and price. Cutler-Hammer is a registered trademark of Eaton Corporation. GE is a registered trademark of General Electric Company.

• Flip cover suitable for NEMA 3, 3R only.

▼ NEMA 4 rating maintained with Appleton NEMA 4 plug installed. Install screw cover for 4, 4X. Both covers are included with product.

◆ Add suffix **-GB** to Cat. No. for Group B. (Group B version not suitable for NEMA 4, 4X)

① Molded Case Switch available. Add suffix **-K**.



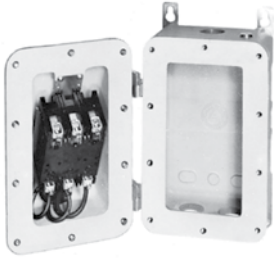
EBR Receptacles 30, 60, 100 and 150 Amp

Circuit Breaker and Disconnect Switch Data

600 Vac Max.

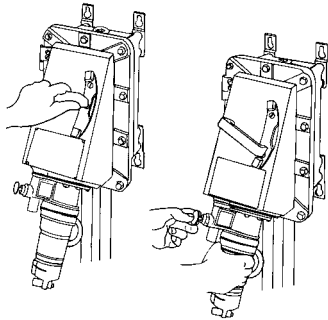
NEC:

Class I, Division 1 and 2, Groups B*, C, D
 Class II, Division 1 and 2, Groups F, G
 Class III
 NEMA 3*, 3R*, 4*, 4X*, 7CD, 9FG



EBR Shown

Solderless lugs are provided for line connections, and receptacle is prewired to the load side of breaker. Cover-mounted components leave entire enclosure space free for pulling of line conductors and wiring.



EBR Shown

Plug is mechanically locked in receptacle when circuit breaker is ON. Design provides interlocked connect and disconnect operation as well as short circuit and thermal time delay overload protection.

Breaker operating handle can be padlocked in either ON or OFF position and is trip-free.

Enclosure has additional 3/4" threaded openings top and bottom for installation of optional drain and breather; reducers furnished.

- Flip cover suitable for NEMA 3, 3R only.
- ▼ NEMA 4 rating maintained with Appleton NEMA 4 plug installed. Install screw cover for 4, 4X. Both covers are included with product.
- ◀ Cutler-Hammer is a registered trademark of Eaton Corporation.

EBR Horsepower Tables

These Cutler-Hammer * circuit breaker recommendations are for induction motors running with usual speed and torque characteristics. Ambient temperature, and frequency of starting could require different protective characteristics.

| | HP | 120 Vac | 240 Vac | 480 Vac | 600 Vac |
|--|--|---------|---------|---------|---------|
| EBR3023 (2W, 3P, 1-Phase, 30 Amp 2-Pole) | 1 | 40EHD | 20EHD | 15EHD | 15FDB |
| | 1-1/2 | 40EHD | 30EHD | 15EHD | 15FDB |
| | 2 | 50EHD | 30EHD | 20EHD | 15FDB |
| | 3 | — | 40EHD | 30EHD | 20FDB |
| | 5 | — | — | 40EHD | 30FDB |
| | 7-1/2 | — | — | 40EHD | 40FDB |
| EBR6023 (2W, 3P, 1-Phase, 60 Amp 2-Pole) | 3 | 50EHD | — | — | — |
| | 5 | 100EHD | 50EHD | — | — |
| | 7-1/2 | — | 70EHD | — | — |
| | 10 | — | — | 50EHD | 40FDB |
| EBR3034 (3W, 4P, 3-Phase, 30 Amp 3-Pole) | 1 | — | 15EHD | 15EHD | 15FDB |
| | 1-1/2 | — | 15EHD | 15EHD | 15FDB |
| | 2 | — | 20EHD | 15EHD | 15FDB |
| | 3 | — | 30EHD | 15EHD | 15FDB |
| | 5 | — | 40EHD | 20EHD | 20FDB |
| | 7-1/2 | — | 50EHD | 30EHD | 30FDB |
| | 10 | — | — | 40EHD | 30FDB |
| | 15 | — | — | 40EHD | 40FDB |
| | 20 | — | — | — | 50FDB |
| | EBR6034 (3W, 4P, 3-Phase, 60 Amp 3-Pole) | 10 | — | 50EHD | — |
| 15 | | — | 70EHD | — | — |
| 20 | | — | — | 50EHD | — |
| 25 | | — | — | 50EHD | 50FDB |
| 30 | | — | — | 70EHD | 50FDB |
| 40 | | — | — | — | 70FDB |
| EBR1034 (3W, 4P, 3-Phase, 100A and 150 Amp 3-Pole) | 20 | — | 100EHD | — | — |
| | 25 | — | 100EHD | — | — |
| | 30 | — | 150FD | — | — |
| | 40 | — | — | 100EHD | — |
| | 50 | — | — | 100EHD | 100FDB |
| | 60 | — | — | 125FD | 125FDB |
| | 75 | — | — | — | 125FDB |

EBR Circuit Breaker Data — Cutler-Hammer *

| Frame | Continuous | | Interrupting Ratings (RMS SYM Amp) | | |
|-------|------------|-----------|------------------------------------|---------|---------|
| | Amp | Max Volts | 240 Vac | 480 Vac | 600 Vac |
| EHD | 20-100 | 480 | 18,000 | 14,000 | — |
| FDB | 20-125 | 600 | 18,000 | 14,000 | 14,000 |
| FD | 20-150 | 600 | 65,000 | 25,000 | 18,000 |

EBR Horsepower Rating Table — Disconnect Switch

| Max. Amp | Max. Horsepower Rating | | | | |
|----------|------------------------|---------|---------|---------|---------|
| | 120 Vac | 240 Vac | 480 Vac | 600 Vac | 250 Vdc |
| 30 | 5 | 10 | 20 | 25 | 7-1/2 |
| 60 | 10 | 20 | 40 | 60 | 15 |
| 100 | 15 | 30 | 75 | 75 | 25 |
| 150 | — | 50 | 100 | 150 | — |

APPLETON™

PLUGS AND RECEPTACLES: NEC/CEC HAZARDOUS LOCATION

Plugs for EBR and EBRH Receptacles

NEC:
 Class I, Division 1 and 2, Groups B*, C, D
 Class II, Division 1 and 2, Groups F, G
 Class III
 NEMA 3*, 3R*, 4*, 4X*, 7CD, 9FG

ACP Plugs for EBR and EBRH Receptacles

| Cable Dia. (Inches) | 30 Amp | | 60 Amp | | 100 Amp | | 150 Amp |
|------------------------|-----------|-----------|-----------|-----------|-----------|-----------|------------|
| | 2W, 3P | 3W, 4P | 2W, 3P | 3W, 4P | 2W, 3P | 3W, 4P | 3W, 4P |
| .500 to 1.250 | ACP3023BC | ACP3034BC | — | — | — | — | — |
| .500 to 1.375 | — | — | ACP6023BC | ACP6034BC | — | — | — |
| .875 to 1.906 | — | — | — | — | ACP1023CD | ACP1034CD | ACP15034CD |
| 1.09 to 2.187 | — | — | — | — | — | — | ACP15034DE |

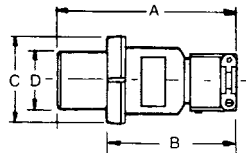


CPH Plugs for EBR and EBRH Receptacles

| Cable Dia. (Inches) | 30 Amp | | 60 Amp ① | | 100 Amp | | 150 Amp |
|------------------------|-----------|-----------|-----------|-----------|---------|--------|---------|
| | 2W, 3P | 3W, 4P | 2W, 3P | 3W, 4P | 2W, 3P | 3W, 4P | 3W, 4P |
| .390 to 1.375 | CPH3023BC | CPH3034BC | CPH6023BC | CPH6034BC | — | — | — |

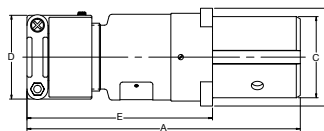


Dimensions of ACP Plugs



| Max. Amp | No. Poles | Dimensions in Millimeters (Inches) | | | |
|---------------|-----------|------------------------------------|--------------|--------------|-------------|
| | | A | B | C | D |
| 30 | 2,3,4 | 152.4 (6.00) | 120.6 (4.75) | 79.5 (3.13) | 47.2 (1.86) |
| 60 | 2,3 | 198.3 (7.81) | 125.4 (4.94) | 88.9 (3.50) | 56.6 (2.23) |
| 60 | 4 | 198.3 (7.81) | 125.4 (4.94) | 96.7 (3.81) | 64.7 (2.55) |
| 100 | 2,3 | 266.7 (10.50) | 168.4 (6.63) | 101.6 (4.00) | 62.7 (2.47) |
| 100 | 4 | 266.7 (10.50) | 168.4 (6.63) | 107.9 (4.25) | 69.0 (2.72) |
| 150 (CD & DE) | 4 | 266.7 (10.50) | 168.4 (6.63) | 107.9 (4.25) | 69.0 (2.72) |

Dimensions of CPH Plugs



| Max. Amp | Wire/Pole | Dimensions in Millimeters (Inches) | | | | |
|----------|----------------|------------------------------------|-------------|-------------|-------------|--------------|
| | | A | B | C | D | E |
| 30 | 2W, 3P; 3W, 4P | 155.7 (6.13) | 60.4 (2.38) | 47.2 (1.86) | 6.68 (2.63) | 112.7 (4.44) |
| 60 | 2W, 3P | 214.3 (8.44) | 77.7 (3.06) | 77.7 (3.06) | 6.68 (2.63) | 144.5 (5.69) |
| 60 | 3W, 4P | 214.3 (8.44) | 77.7 (3.06) | 64.7 (2.55) | 6.68 (2.63) | 144.5 (5.69) |

• Flip cover suitable for NEMA 3, 3R only.
 ▼ NEMA 4 rating maintained with Appleton NEMA 4 plug installed. Install screw cover for 4, 4X. Both covers are included with product.
 ① 60 Amp CPH plugs with -BC suffix are NOT UL listed.

EBR 30, 60, 100 and 150 Amp Series Receptacles

Explosionproof, Dust-Ignitionproof

With Disconnect Switch or Circuit Breaker. Weatherproof Spring Cover. 600 Vac Max. 250 Vdc Max.

NEC:

Class I, Division 1 and 2, Groups B⁺, C, D

Class II, Division 1 and 2, Groups F, G

Class III

NEMA 3⁺, 3R⁺, 4⁺, 4X⁺, 7CD, 9FG

Replacement Parts

| Description | Catalog Number |
|---|----------------|
| 30 Amp, 2W, 3P Receptacle Interior | EBRI3023 |
| 30 Amp, 3W, 4P Receptacle Interior | EBRI3034 |
| 60 Amp, 2W, 3P Receptacle Interior | EBRI6023 |
| 60 Amp, 3W, 4P Receptacle Interior | EBRI6034 |
| 100 Amp, 2W, 3P Receptacle Interior | EBRI1023 |
| 100 Amp, 3W, 4P Receptacle Interior | EBRI1034 |
| 150 Amp, 3W, 4P Receptacle Interior | EBRI15034 |
| 30 Amp, 2W, 3P Disconnect Interlock Rod Assembly | DEJS30 |
| 30 Amp, 3W, 4P Disconnect Interlock Rod Assembly | DEJS30 |
| 60 Amp, 2W, 3P Disconnect Interlock Rod Assembly | DEJS60A |
| 60 Amp, 3W, 4P Disconnect Interlock Rod Assembly | DEJS60B |
| 100 Amp, 2W, 3P Disconnect Interlock Rod Assembly | DEJS100A |
| 100 Amp, 3W, 4P Disconnect Interlock Rod Assembly | DEJS100B |
| 30 Amp, 2W, 3P Breaker Interlock Rod Assembly | DEJS30 |
| 30 Amp, 3W, 4P Breaker Interlock Rod Assembly | DEJS30 |
| 60 Amp, 2W, 3P Breaker Interlock Rod Assembly | DEJS60A |
| 60 Amp, 3W, 4P Breaker Interlock Rod Assembly | DEJS60B |
| 100 Amp, 2W, 3P Breaker Interlock Rod Assembly | DEJS100A |
| 100 Amp, 3W, 4P Breaker Interlock Rod Assembly | DEJS100B |
| 150 Amp, 3W, 4P Breaker Interlock Rod Assembly | DEJS100B |

• Flip cover suitable for NEMA 3, 3R only.

▼ NEMA 4 rating maintained with Appleton NEMA 4 plug installed. Install screw cover for 4, 4X. Both covers are included with product.

APPLETON™

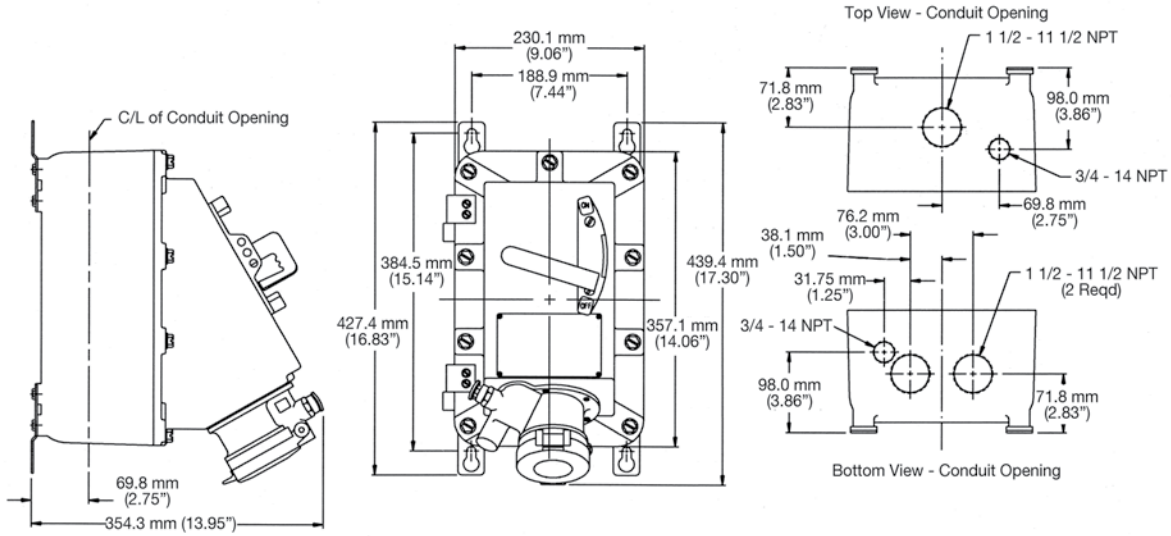
PLUGS AND RECEPTACLES: NEC/CEC HAZARDOUS LOCATION

EBR 30, 60, 100 and 150 Amp Series Receptacles

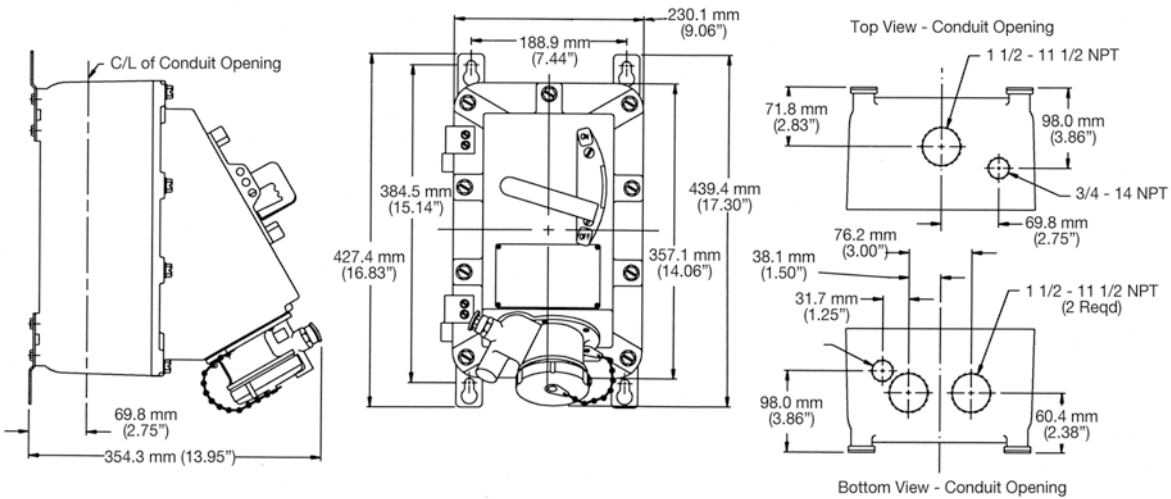
NEC:
 Class I, Division 1 and 2, Groups B*, C, D
 Class II, Division 1 and 2, Groups F, G
 Class III
 NEMA 3*, 3R*, 4*, 4X*, 7CD, 9FG

Dimensions in Millimeters (Inches)

Shown with Flip Cover



Shown with Screw Cover



- Flip cover suitable for NEMA 3, 3R only.
- ▼ NEMA 4 rating maintained with Appleton NEMA 4 plug installed. Install screw cover for 4, 4X. Both covers are included with product.

APPLETON™

PLUGS AND RECEPTACLES: NEC/CEC HAZARDOUS LOCATION